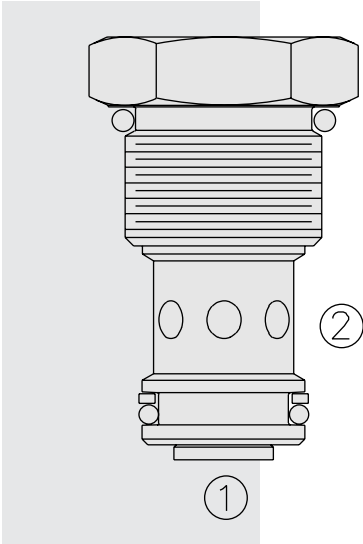


CV12-21 Check Valve



DESCRIPTION

A screw-in, cartridge-style, hydraulic check valve for use as a blocking or load-holding device.

OPERATION

The CV12-21 allows flow passage from ② to ①, while blocking flow from ① to ②. The cartridge has a fully guided check which is spring-biased closed until sufficient pressure is applied at ② to open to ①.

FEATURES

- Low check mass for anti-cavitation applications.
- Hardened seat for long life and low leakage.
- Optional bias springs for back-pressure application flexibility.
- Cost-effective cavity.

RATINGS

Operating Pressure: 240 bar (3500 psi)

Flow: See Performance Chart

Internal Leakage: 0.25 cc/minute (5 drops/minute) max. at 240 bar (3500 psi)

Crack Pressure Defined: Gauge bar (psi) evident at ② at 16.4 cc/minute (1 cu. in./minute) attained at ①

Standard Bias Springs at Crack: 0.4 bar (6 psi); 1.8 bar (26 psi); 3.8 bar (56 psi)

Temperature: -40 to 120°C

Filtration: See page 9.010.1

Fluids: Mineral-based or synthetics with lubricating properties at viscosities of 7.4 to 420 cSt (50 to 2000 sus); See Temperature and Oil Viscosity, page 9.060.1

Installation: See note in dimension drawing regarding minimum pilot drill diameter

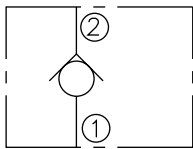
Cavity: VC12-2 (Cavity Variation "A"); See page 9.112.1

Cavity Tool: CT12-2XX; See page 8.600.1

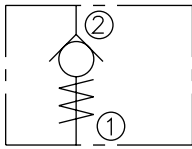
Seal Kit: SK12-2X-B; See page 8.650.1

SYMBOLS

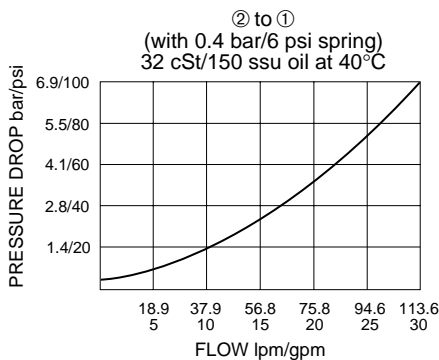
USASI:



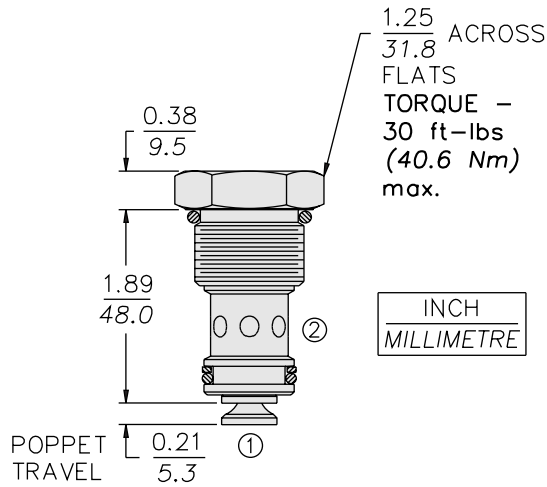
ISO:



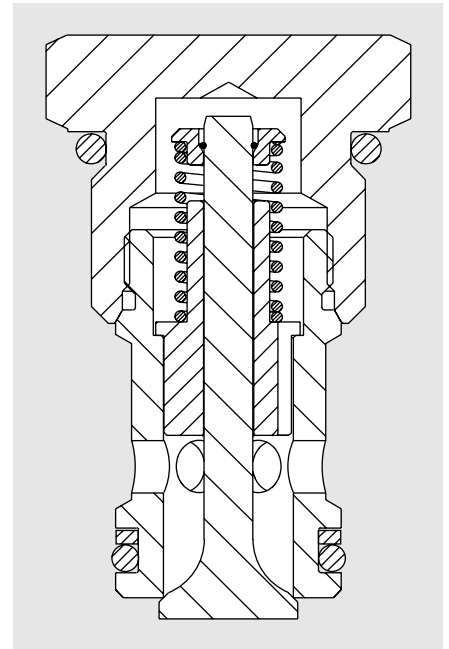
PERFORMANCE (Cartridge Only)



DIMENSIONS



ORIFICE DISCS MAY NOT BE USED WITH THIS PRODUCT.



MATERIALS

Cartridge: Weight: 0.18 kg. (0.40 lbs.)
Steel with hardened work surfaces.
Zinc-plated exposed surfaces.
Buna N O-rings and polyester elastomer back-up standard.

TO ORDER

